

Meter Base Specifications for Overhead Installations

(A) Weatherhead -
12'-6" minimum above ground
Shall extend 30" above roof surface, not to exceed 36"

(B) Drip Loop -
18" minimum above roof surface
and min. 12' above ground

(C) Conduit - Ridged Conduit only
to be securely fastened with conduit
straps. Line and load wire must be in
separate conduits. "Conduit to be sized
based on wire size."

Couplings in conduit above the roof line
are not permitted.

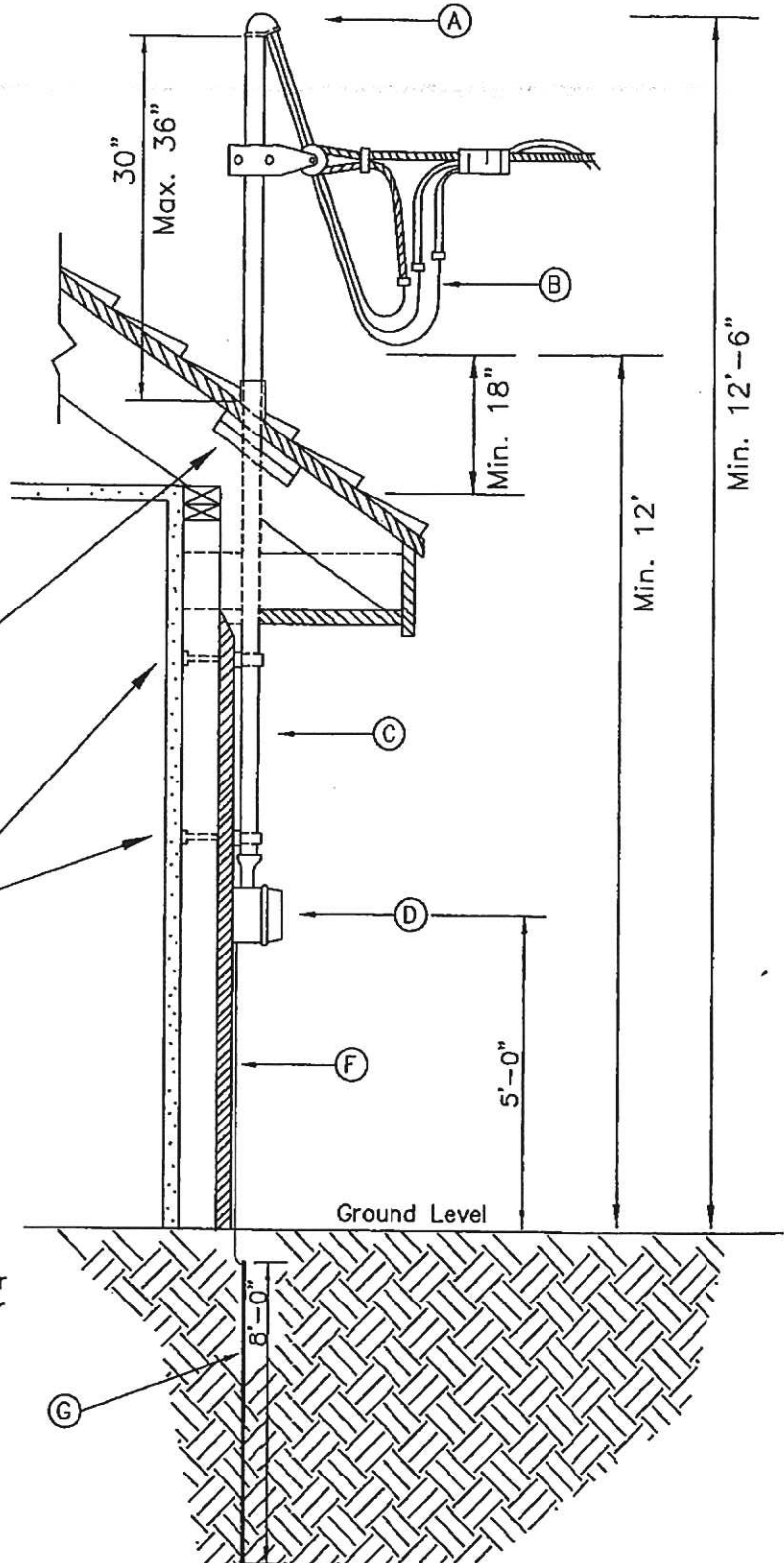
(D) Meter Base - 5' above ground level.

2 x 4 blocking
solidly installed
between rafters.

Bolts firmly fastened
to wall studs or
imbedded in mortar
between blocks.

(F) Ground Wire - 60 and 100' amps. - #6 Copper
150 and 200 amps. - #4 Copper

(G) Ground Rod Clamp - copper weld
or galvanized.
8' Ground Rod - Copper weld or galvanized.



Meter Pole Specifications for New Mobile Homes

Meter pole -

- (A) 18' minimum length, set 5' in ground, min 13' above ground. Top diameter minimum requirement is 8 inches. A 6"x 6" treated timber is acceptable.
- (B) Weatherhead - within 6" to top of pole, 18" minimum tail length. Drip loop shall have 12' minimum ground clearance.
- (C) Conduit - Intermediate metal or Rridged. Conduit to be securely fastened with conduit straps. Line and load wire must be in separate conduits. "Conduit to be sized based on wire size."
- (D) Meter Base - 5' above ground level.
- (E) Switch Box - weatherproof type with hub and pipe nipple into bottom of meter base. Main Breaker - must be sized to amp. - capacity of wire. Four Wires from breaker panel to trailer panel in conduit.

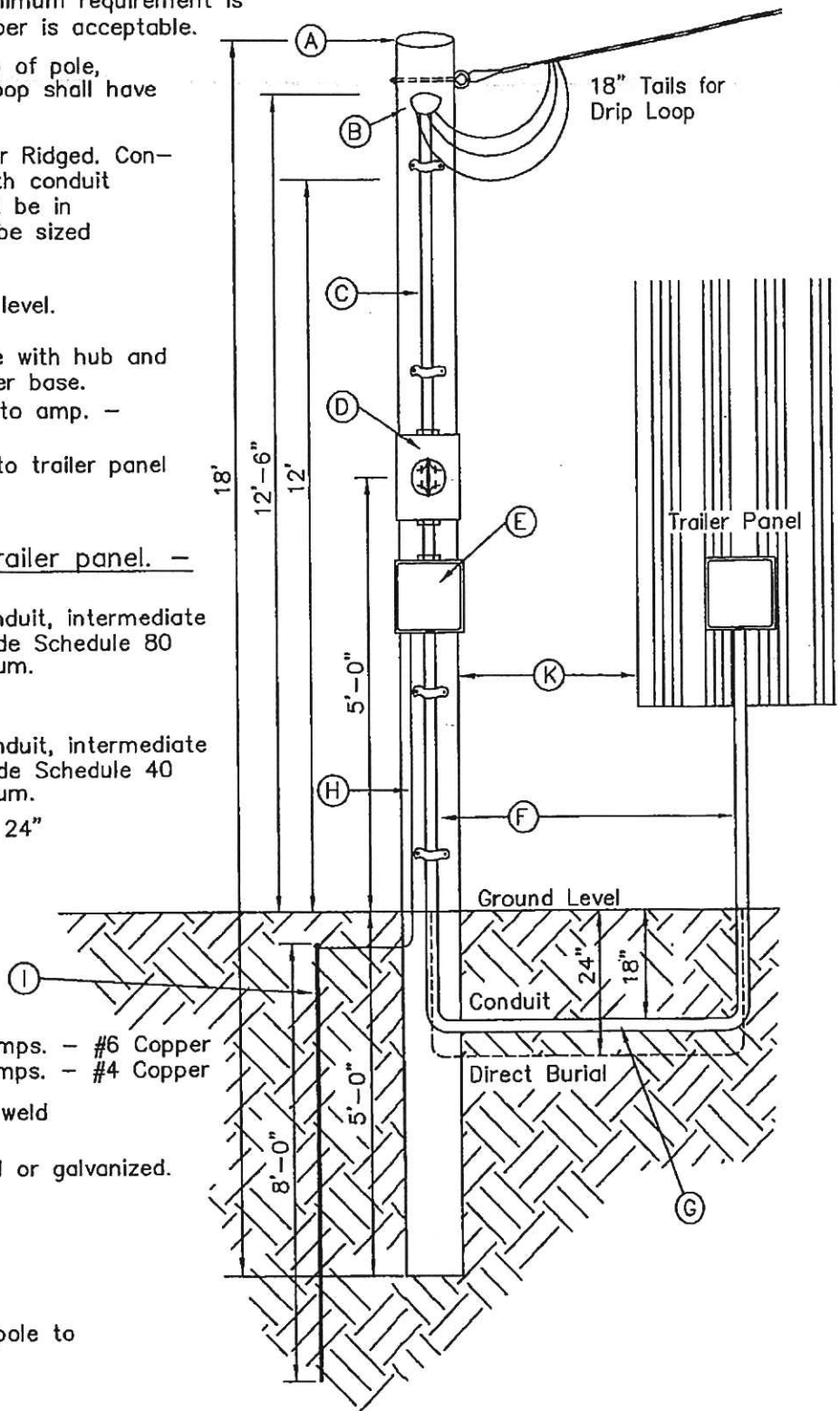
Conduit from switch box to trailer panel. -

- (F) Above Ground: conduit shall be rigid metal conduit, intermediate metal conduit, or electrical grade Schedule 80 rigid nonmetallic conduit minimum.
- (G) Below Ground: conduit shall be rigid metal conduit, intermediate metal conduit, or electrical grade Schedule 40 rigid nonmetallic conduit minimum. Minimum depth - Direct Burial 24" Conduit 18"

- (H) Ground Wire - 60 and 100 amps. - #6 Copper
150 and 200 amps. - #4 Copper
- (I) Ground Rod Clamp - copper weld or galvanized.
8' Ground Rod - Copper weld or galvanized.

Meter Pole Location -

- (K) Minimum 5' separation from pole to closest point on structure.



* It is the responsibility of the customer to secure the pole in a verticle position. Should the ground not be adequate to support the pole, guying shall be installed by the customer.

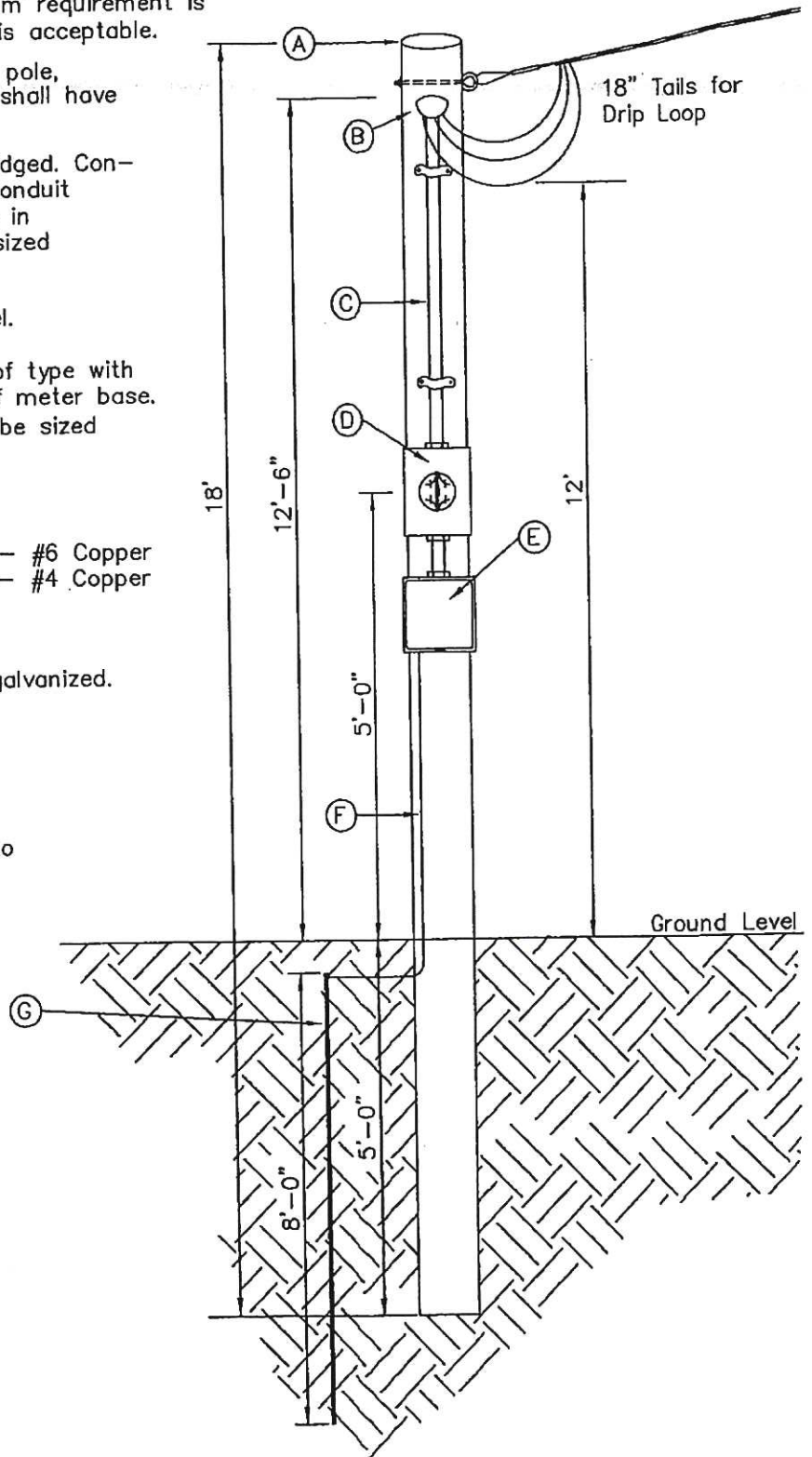
Meter Pole Specifications for Service Stub Installations

Meter pole –

- (A) 18' minimum length, set 5' in ground, min 13' above ground. Top diameter minimum requirement is 8 inches. A 6"x 6" treated timber is acceptable.
- (B) Weatherhead – within 6" to top of pole, 18" minimum tail length. Drip loop shall have 12' minimum ground clearance.
- (C) Conduit – Intermediate metal or Ridged. Conduit to be securely fastened with conduit straps. Line and load wire must be in separate conduits. "Conduit to be sized based on wire size."
- (D) Meter Base – 5' above ground level.
- (E) Customer Equipment – weatherproof type with hub and pipe nipple into bottom of meter base. Main Breaker (if required) – must be sized to amp capacity of wire.
- (F) Ground Wire – 60 and 100 amps. – #6 Copper
150 and 200 amps. – #4 Copper
- (G) Ground Rod Clamp – copper weld or galvanized.
8' Ground Rod – Copper weld or galvanized.

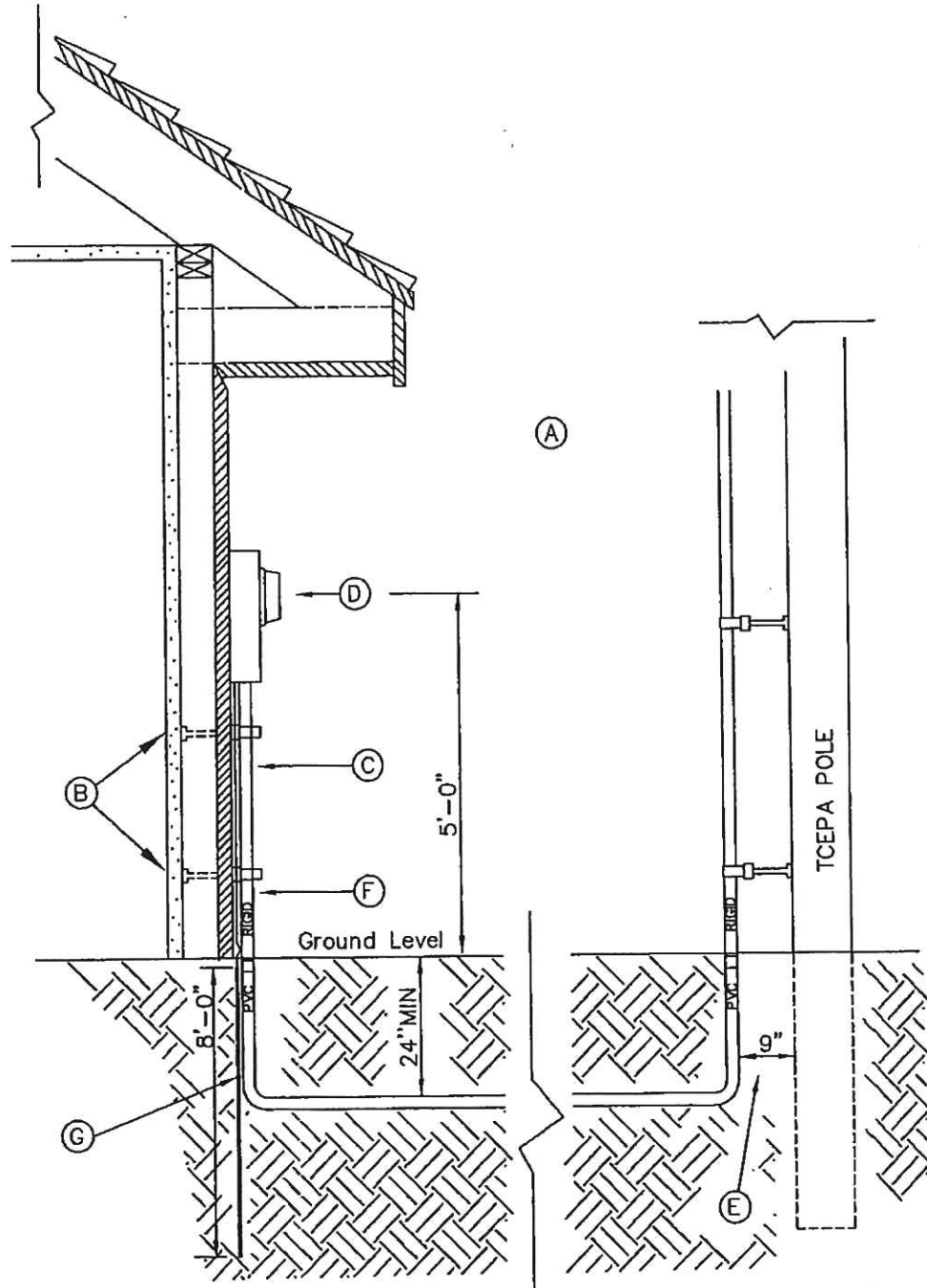
* Meter Pole Location –

Minimum 5' separation from pole to closest point on structure.



* It is the responsibility of the customer to secure the pole in a verticle position. Should the ground not be adequate to support the pole, guying shall be installed by the customer.

Meter Base Specifications for Underground Installations



(A) Customer is responsible for conduit installation to these specs, from meterbase to TCEPA utility pole, and must be inspected by TCEPA personnel before covered.

Customer is responsible for Aid To Construction charges prior to installation.

Customer is responsible for calling MS811 prior to digging according to state laws.

Conduit shall be MIN 2 1/2" Rigid (required above ground) and schedule 40 electrical grade PVC (schedule 80 under roads and driveways) for underground.

Customer is required to install pulling string through conduit.

(B) Bolts firmly fastened to wall studs or imbedded in mortar between blocks.

(C) Conduit - Rigid Conduit only to be securely fastened with conduit straps. Line and load conductors must be in separate conduits.

Rigid Conduit extends to ground line. PVC is allowed underground (electrical grade, schedule 40; schedule 80 or Rigid required under roads or driveways)

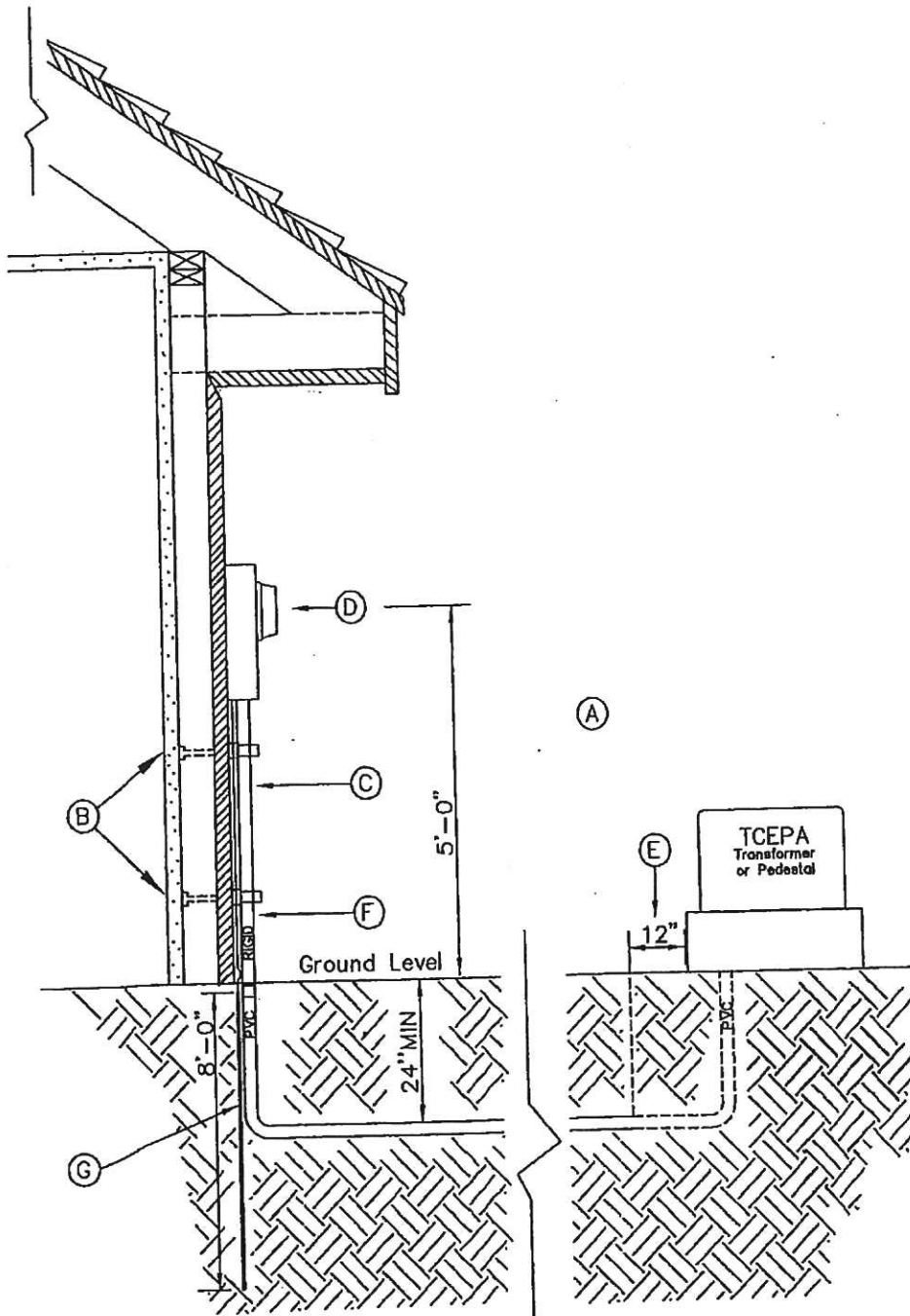
(D) Meter Base - Installed 5' above ground level.

(E) Conduit to be turned up with "long sweep 90" 9 inches from TCEPA utility pole (or 18 inches from pole stake when required)

(F) Ground Wire -
60 and 100 amps. - #6 Copper
150 and 200 amps. - #4 Copper

(G) Ground Rod Clamp -
copper weld or galvanized.
8' Ground Rod -
copper weld or galvanized.

Meter Base Specifications for Underground Installations



- Ⓐ Customer is responsible for conduit installation to these specs, from meterbase to TCEPA equipment, and must be inspected by TCEPA personel before covered.

Customer is responsible for Aid To Construction charges prior to installation.

Customer is responsible for calling MSB11 prior to digging according to state laws.

Conduit shall be MIN 2 1/2" Rigid (required above ground) and schedule 40 electrical grade PVC (schedule 80 under roads and driveways) for underground.

Customer is required to install pulling string through conduit.
- Ⓑ Bolts firmly fastened to wall studs or imbedded in mortar between blocks.
- Ⓒ Conduit – Ridged Conduit only to be securely fastened with conduit straps. Line and load conductors must be in seperate conduits.

Rigid Conduit extends to ground line. PVC is allowed underground (electrical grade, schedule 40; schedule 80 or Rigid required under roads or driveways)
- Ⓓ Meter Base – Installed 5' above ground level.
- Ⓔ Conduit to be installed to 12" from TCEPA transformer or pedestal. Customer to provide sweep elbow an additional conduit needed to enter pedestal.
- Ⓕ Ground Wire –
 60 and 100 amps. – #6 Copper
 150 and 200 amps. – #4 Copper
- Ⓖ Ground Rod Clamp – copper weld or galvanized.
 8' Ground Rod – copper weld or galvanized.